

Sync09 Powered Air Purifying Respirator

PRODUCT DESCRIPTION

Extraordinary Wide View PAPR with Communication

APPLICATION

Sync09 Powered Air Purifying REspirator can **ONLY** be used with "V Series" filter. Please refer to "COMPATIBLE FILTERS" for further information of filters.

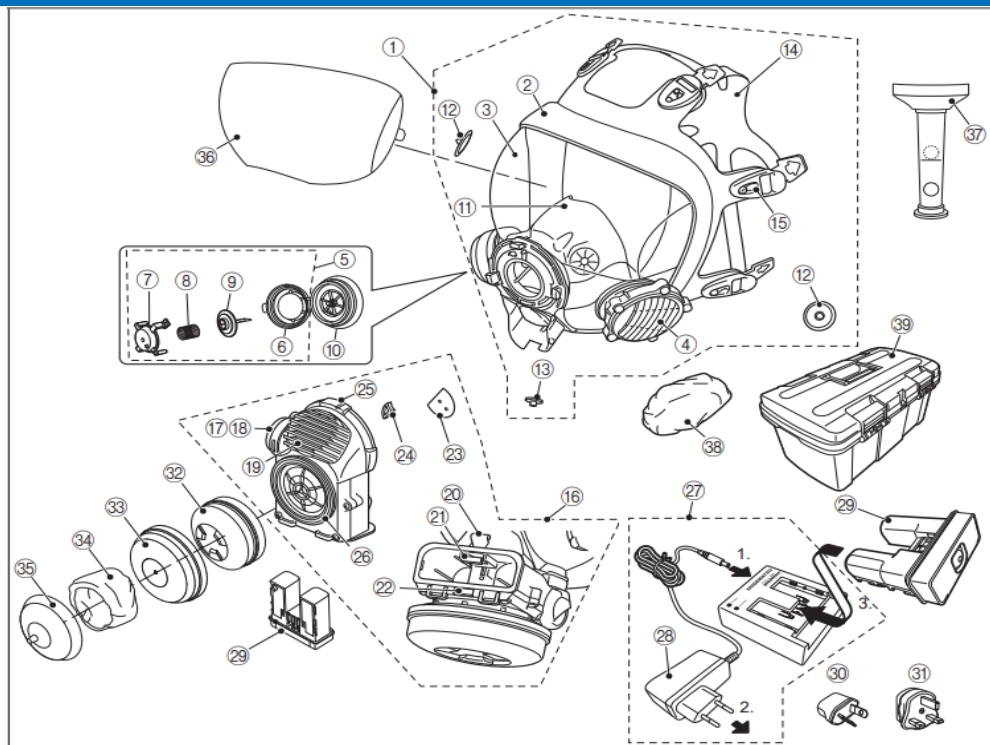
KEY FEATURES

Wide View	New Widest 3D-curve Visor (Inside: Anti-fog coated, Outside: Anti-scratch Coated)
Voice Amplifier	It is possible to communicate clearly and improve safety
Long life and light battery	Breath responsive makes a long battery life with light weight built-in battery.
Cordless	No battery connection cable which does not disturb your work.
Switchless	Automatic ON/OFF function.
LED indicators	Two indicators for Battery life and filter replacement .
IP65 certified	Facepiece can be washed with water (removable fan unit).

TECHNICAL DATA

Material	TPE (Thermoplastic elastomers)
Sizes	Medium (M), Large (L)
Visor	Anti-scratch, Anti-fog coated polycarbonate
Connector	"Bayonet" connectors for use with STS "V Series" filters
Weight	Approx. 735-740g (includes facepiece, fan unit, filter, and battery)
Approvals	EN12942:1998+A2:2008 TM3 / IEC 60529:2001 IP65 rated

PARTS LIST



No.	Part name		Product Code	Packing Unit
①	*Facepiece "FP-E09"	M	41736	1 pc / pack
	(Includes: Inner Mask & Head Harness)	L	41737	
②	*Facepiece	M	40504	1 pc / pack
	(Excludes: Inner Mask & Head Harness)	L	40505	
③	Face Blank		-	-
④	Visor		-	-
⑤	Speech Diaphragm		-	-
⑥	*Spring-loaded exhalation valve		41380	5 pcs / pack
⑦	*Exhalation Valve Cover		41475	1 pc / pack
⑧	Exhalation valve spring cover		-	-
⑨	Exhalation valve spring		-	-
⑩	Exhalation valve		-	-
⑪	Exhalation valve seat		-	-
⑫	*Inner mask		50623	1 pc / pack
⑬	*Inner mask vavle		50122	5 pcs / pack
⑭	*Drain valve		41290	5 pcs / pack
⑮	*Head harness		41420	1 pc / pack
⑯	Buckle		-	-
⑰	*Fan Unit "FU-E01"		41738	1 pc / pack
⑱	Breathing Monitor		-	-
⑲	Filter Replacement Indicator		-	-
⑳	Voice amplifier		-	-
㉑	Lock lever		-	-
㉒	Battery Lock Lever		-	-
㉓	Battery Life Indicators		-	-
㉔	*Inhalation Valve		03127	5 pcs / pack
㉕	*Guarding Sponge "#50980"		50980	10 pcs / pack
㉖	*Gasket Fan Unit - Facepiece		03123	10 pcs / pack
㉗	*Gasket Filter - Fan Unit		41482	10 pcs / pack
㉘	*Charger "CH-L2HAC"		41734	1 pcs / pack
㉙	AC adaptor		-	-
㉚	*Battery "BA-L2H-E"		41735	10 pcs / pack
㉛	*Conversion Plug O		41192	10 pcs / pack
㉜	*Conversion Plug BF		41193	10 pcs / pack
㉝	Particle filter "VP3"		40350	1 pc / pack
㉞	Combined filter "VA1P3"		40250	1 pc / pack
㉟	Combined filter "VABE1P3"		40251	1 pc / pack
㊱	Combined filter "VA1B2E2K1P3"		40253	1 pc / pack
㊲	*Filter Guard "#50583"		50583	1 pc / pack
㊳	*Unit cover "Knit cover 1R"		02800	10 pcs / pack
㊴	*Fit checker "R18"		13001	1 pc / pack
㊵	*Cover grass Type FS		02662	5 pcs / pack
㊶	*Airflow Tester "FM-6"		04478	1 pc / pack
㊷	*Speech diaphragm cover "#03058"		03058	10 pcs / pack
㊸	*Storage Case		41194	1 pc / pack

*=Spare parts available for purchase

COMPATIBLE FILTERS

Filter	Product name	Filter Type	Colour code	Application
Particle filter	VP3	P R SL	White	Solid and liquid particles
Combined filter	VA1P3	A1 P R SL	Brown, White	Organic vapour, particles
Combined filter	VABE1P3	ABE1 P R SL	Brown, Grey, Yellow, White	Organic vapour, Inorganic vapour, Sulfur dioxide, Acid gas, particles
Combined filter	VA1B2E2K1P3	A1B2E2K1 P R SL	Brown, Grey, Yellow, White, Green	Organic vapour, Inorganic vapour, Sulfur dioxide, Acid gas, Ammonia, particles

MATERIALS

Component	Material
1. Facepiece "FP-E09"	
Face Blank	TPS
Visor	Polycarbonate
Speech diaphragm	ABS, Polytetrafluorethylene, Polybutylene terephthalate
Exhalation Valve	Silicone Rubber, Polycarbonate
Exhalation Valve Cover	PBT (Polybutylene terephthalate)
Inner Mask	TPS, Polybutylene
Inner Mask Valve	Silicone Rubber
Drain Valve	Silicone Rubber
Head Harness	TPU (Thermoplastic polyurethane), PBT (Polybutylene terephthalate)
2. Fan Unit "FU-E09"	
Inhalation Valve	Silicone Rubber
3. Battery "BA-L2H-E"	
Battery	Lithium-ion battery

IMPORTANT NOTICE

All information contained in tables and notes have been compiled using skills and diligence. SHIGEMATSU WORKS CO., LTD. publishes such information in good faith however will not be responsible for any errors or omissions contained in this guide.